

CIRCUIT-BREAKER SZ S00, FOR STARTER COMBINATION,
 RATED CURRENT 1.25A, N-RELEASE 16A, SCREW
 CONNECTION, STANDARD SW. CAPACITY



| | |
|--------------------------|--------------------------|
| product brandname | SIRIUS |
| Product designation | Circuit breaker |
| Design of the product | For starter combinations |
| Product type designation | 3RV2 |

| General technical data | |
|---|---------|
| Size of the circuit-breaker | S00 |
| Size of contactor can be combined company-specific | S00, S0 |
| Product extension | Yes |
| <ul style="list-style-type: none"> Auxiliary switch | Yes |
| Power loss [W] total typical | 6 W |
| Insulation voltage with degree of pollution 3 rated value | 690 V |
| Surge voltage resistance rated value | 6 kV |
| maximum permissible voltage for safe isolation | |
| <ul style="list-style-type: none"> in networks with grounded star point between main and auxiliary circuit | 400 V |
| <ul style="list-style-type: none"> in networks with grounded star point between main and auxiliary circuit | 400 V |
| Protection class IP | |

| | |
|---|-------------|
| <ul style="list-style-type: none"> • on the front | IP20 |
| <ul style="list-style-type: none"> • of the terminal | IP20 |
| Mechanical service life (switching cycles) | |
| <ul style="list-style-type: none"> • of the main contacts typical | 100 000 |
| <ul style="list-style-type: none"> • of auxiliary contacts typical | 100 000 |
| Electrical endurance (switching cycles) | |
| <ul style="list-style-type: none"> • typical | 100 000 |
| Protection against electrical shock | finger-safe |
| Equipment marking acc. to DIN EN 81346-2 | Q |

Ambient conditions

| | |
|--|----------------|
| Ambient temperature | |
| <ul style="list-style-type: none"> • during operation | -20 ... +60 °C |
| <ul style="list-style-type: none"> • during storage | -50 ... +80 °C |
| <ul style="list-style-type: none"> • during transport | -50 ... +80 °C |

Main circuit

| | |
|---|----------------------------------|
| Number of poles for main current circuit | 3 |
| Operating voltage | |
| <ul style="list-style-type: none"> • rated value | 690 V |
| <ul style="list-style-type: none"> • at AC-3 rated value maximum | 690 V |
| Operating frequency rated value | 50 ... 60 Hz |
| Operating current rated value | 1.25 A |
| Operating current | |
| <ul style="list-style-type: none"> • at AC-3 <ul style="list-style-type: none"> — at 400 V rated value | 1.25 A |
| Operating power | |
| <ul style="list-style-type: none"> • at AC-3 <ul style="list-style-type: none"> — at 230 V rated value — at 400 V rated value — at 500 V rated value — at 690 V rated value | 180 W 370 W 370 W 750 W |
| Operating frequency | |
| <ul style="list-style-type: none"> • at AC-3 maximum | 15 1/h |

Auxiliary circuit

| | |
|--|---|
| Number of NC contacts | |
| <ul style="list-style-type: none"> • for auxiliary contacts | 0 |
| Number of NO contacts | |
| <ul style="list-style-type: none"> • for auxiliary contacts | 0 |
| Number of CO contacts | |
| <ul style="list-style-type: none"> • for auxiliary contacts | 0 |

Protective and monitoring functions

| | |
|--|--------------------------------------|
| Product function | |
| <ul style="list-style-type: none"> • Ground fault detection • Phase failure detection | No No |
| Operational short-circuit current breaking capacity (Ics) at AC | |
| <ul style="list-style-type: none"> • at 240 V rated value • at 400 V rated value • at 500 V rated value • at 690 V rated value | 100 kA 100 kA 100 kA 100 kA |
| Maximum short-circuit current breaking capacity (Icu) | |
| <ul style="list-style-type: none"> • at AC at 240 V rated value • at AC at 400 V rated value • at AC at 500 V rated value • at AC at 690 V rated value | 100 kA 100 kA 100 kA 100 kA |
| Breaking capacity short-circuit current (Icn) | |
| <ul style="list-style-type: none"> • at 1 current path at DC at 150 V rated value • with 2 current paths in series at DC at 300 V rated value • with 3 current paths in series at DC at 450 V rated value | 10 kA 10 kA 10 kA |

UL/CSA ratings

| | |
|--|------------------|
| Full-load current (FLA) for three-phase AC motor | |
| <ul style="list-style-type: none"> • at 480 V rated value • at 600 V rated value | 1.25 A 1.25 A |
| Yielded mechanical performance [hp] | |
| <ul style="list-style-type: none"> • for three-phase AC motor <ul style="list-style-type: none"> — at 460/480 V rated value — at 575/600 V rated value | 0.5 hp 0.5 hp |

Short-circuit protection

| | |
|--|--------------------------|
| Product function Short circuit protection | Yes |
| Design of the short-circuit trip | magnetic |
| Design of the fuse link for IT network for short-circuit protection of the main circuit | |
| <ul style="list-style-type: none"> • at 500 V • at 690 V | gL/gG 16 A gL/gG 16 A |

Installation/ mounting/ dimensions

| | |
|--------------------------|--|
| Mounting position | any |
| Mounting type | screw and snap-on mounting onto 35 mm standard mounting rail according to DIN EN 60715 |
| Height | 97 mm |
| Width | 45 mm |
| Depth | 96 mm |

| Required spacing | |
|--|--|
| <ul style="list-style-type: none"> • with side-by-side mounting <ul style="list-style-type: none"> — forwards — Backwards — upwards — downwards — at the side • for grounded parts <ul style="list-style-type: none"> — forwards — Backwards — upwards — at the side — downwards • for live parts <ul style="list-style-type: none"> — forwards — Backwards — upwards — downwards — at the side | <ul style="list-style-type: none"> 0 mm 0 mm 50 mm 50 mm 0 mm 0 mm 0 mm 50 mm 30 mm 50 mm 0 mm 0 mm 50 mm 50 mm 30 mm |

Connections/Terminals

| | |
|--|---|
| Product function | |
| <ul style="list-style-type: none"> • removable terminal for auxiliary and control circuit | No |
| Type of electrical connection | |
| <ul style="list-style-type: none"> • for main current circuit | screw-type terminals |
| Arrangement of electrical connectors for main current circuit | Top and bottom |
| Type of connectable conductor cross-sections | |
| <ul style="list-style-type: none"> • for main contacts <ul style="list-style-type: none"> — single or multi-stranded — finely stranded with core end processing • at AWG conductors for main contacts | <ul style="list-style-type: none"> 2x (0,75 ... 2,5 mm²), 2x 4 mm² 2x (0.5 ... 1.5 mm²), 2x (0.75 ... 2.5 mm²) 2x (18 ... 14), 2x 12 |
| Tightening torque | |
| <ul style="list-style-type: none"> • for main contacts with screw-type terminals | 0.8 ... 1.2 N·m |
| Design of screwdriver shaft | Diameter 5 to 6 mm |

Safety related data

| | |
|---|--|
| B10 value | |
| <ul style="list-style-type: none"> • with high demand rate acc. to SN 31920 | 5 000 |
| Proportion of dangerous failures | |
| <ul style="list-style-type: none"> • with low demand rate acc. to SN 31920 • with high demand rate acc. to SN 31920 | <ul style="list-style-type: none"> 50 % 50 % |

| | |
|---|--------|
| Failure rate [FIT] • with low demand rate acc. to SN 31920 | 50 FIT |
| T1 value for proof test interval or service life acc. to IEC 61508 | 10 y |
| Display version • for switching status | Handle |

Certificates/approvals

| | |
|---------------------------------|----------------------------------|
| General Product Approval | Declaration of Conformity |
|---------------------------------|----------------------------------|



CCC



CSA



UL

[KC](#)



EG-Konf.

| | |
|--------------------------|--------------------------|
| Test Certificates | Shipping Approval |
|--------------------------|--------------------------|

[Special Test Certificate](#)

[Type Test Certificates/Test Report](#)



ABS



BUREAU VERITAS



LRS



PRS

| | |
|--------------------------|--------------|
| Shipping Approval | other |
|--------------------------|--------------|



RINA



RMRS

[Environmental Confirmations](#)

[Confirmation](#)



VDE

[Miscellaneous](#)

Railway

[Vibration and Shock](#)

Further information

Information- and Downloadcenter (Catalogs, Brochures,...)

<http://www.siemens.com/industrial-controls/catalogs>

Industry Mall (Online ordering system)

<https://mall.industry.siemens.com/mall/en/en/Catalog/product?mfb=3RV2311-0KC10>

Cax online generator

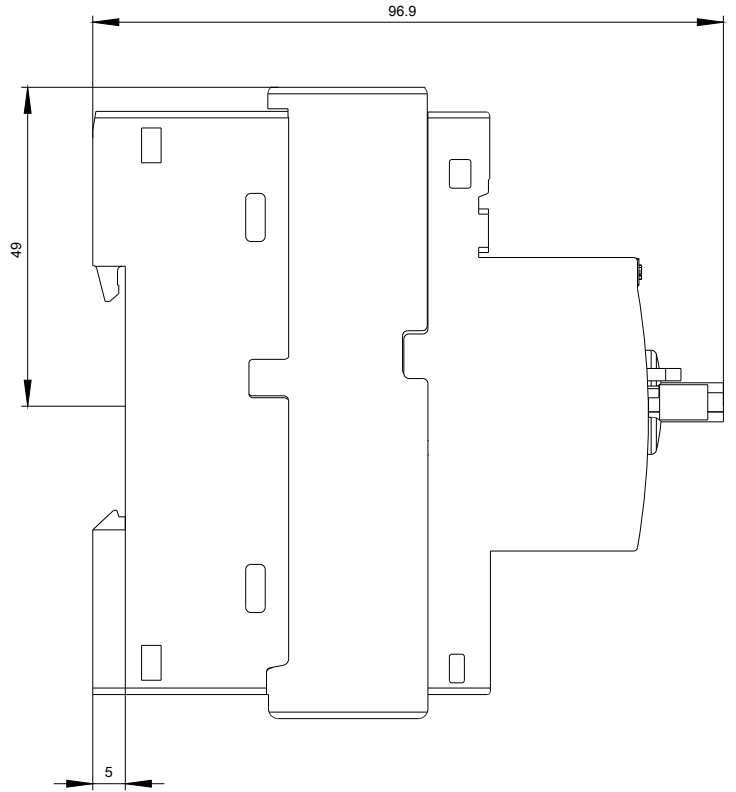
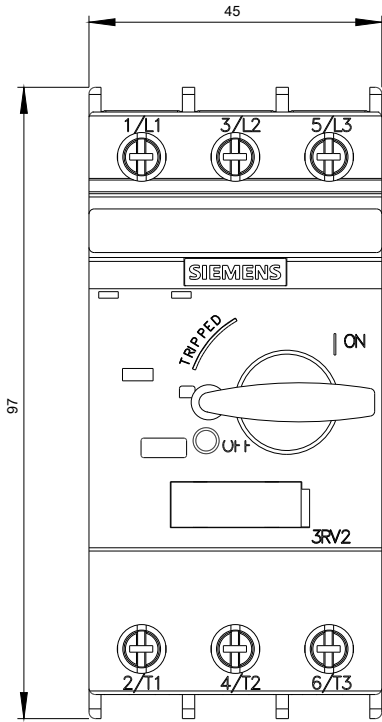
<http://support.automation.siemens.com/WW/CAXorder/default.aspx?lang=en&mfb=3RV2311-0KC10>

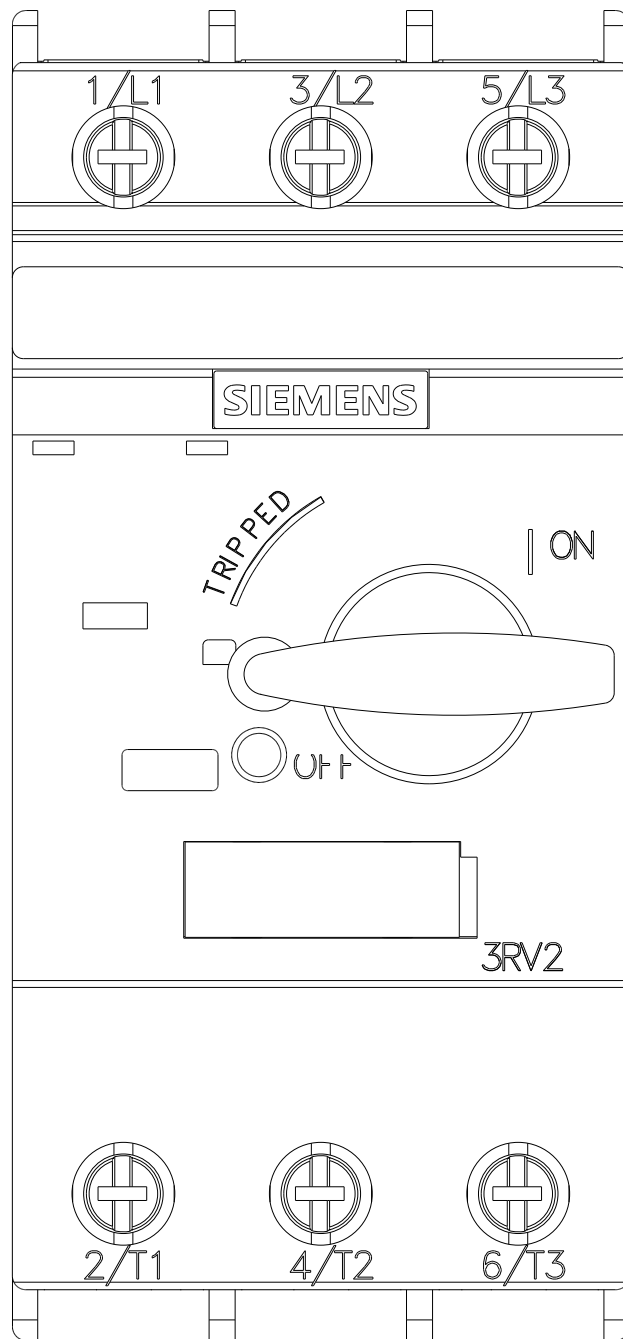
Service&Support (Manuals, Certificates, Characteristics, FAQs,...)

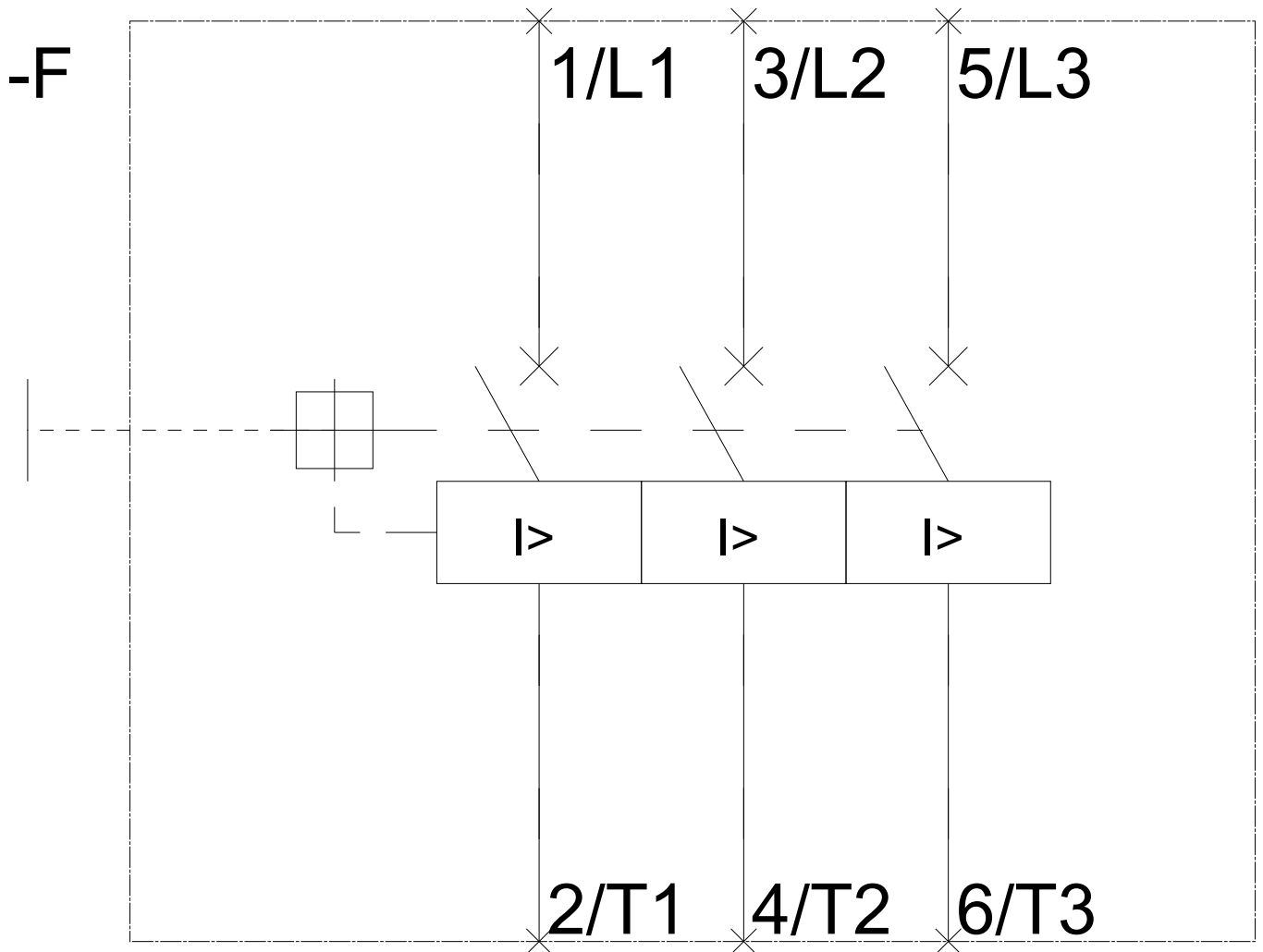
<https://support.industry.siemens.com/cs/ww/en/ps/3RV2311-0KC10>

Image database (product images, 2D dimension drawings, 3D models, device circuit diagrams, EPLAN macros, ...)

http://www.automation.siemens.com/bilddb/cax_de.aspx?mfb=3RV2311-0KC10&lang=en







last modified:

06/20/2017